

# Rapiscan 618XR

**Rapiscan**<sup>®</sup>  
systems

An OSI Systems Company

## BAGGAGE AND PARCEL INSPECTION

### Versatile Screening System

### Compact Design

### Portable

### Network Enabled

### Cost Effective



With a 550 mm (21.7 inches) wide by 360 mm (14.2 inches) high tunnel opening, the **Rapiscan 618XR** is a compact and versatile X-ray system that also provides excellent detection capabilities. The 618XR was designed for rapid relocation and can be wheeled through narrow doorways, making it an excellent system for schools, hotels, convention centers and event-based security requirements.

Like all systems in the 600 series family of X-ray scanning solutions, the Rapiscan 618XR is built on a standardized platform that makes it easy to install and maintain, and comes with features such as dual-energy detection, a streamlined, ergonomic design, and Rapiscan's feature-rich OS600 system software.

### CUSTOMER SUPPORT SERVICES

Our team is dedicated to providing a prompt, effective and personalized response that exceeds your expectations. With spare parts inventory and skilled technicians all over the world, you can be certain Rapiscan Systems will always be prepared with a solution to address your requirements. By measuring response time, parts delivery and support status, our team embraces a customer focused philosophy to ensure continual improvement in customer support, products and services.

## Feature & Option Highlights

**OS600 System Software:** Rapiscan's OS600 software provides an intuitive Graphical User Interface with improved image quality as well as advanced networking capabilities.

**Threat Image Projection (TIP):** TIP inserts digital threat images at configurable frequencies into the regular flow of bags. TIP is the preferred operator performance measurement and training method used by regulatory agencies worldwide.

**Threat Image Projection Network (TIPNET):** TIPNET is a secure, high speed network that links all TIP enabled systems to a central station.

**Target:** Target™ is Rapiscan's innovative automatic threat and contraband detection technology. Target's software algorithms search X-ray images for targeted materials by analyzing the mass, size and atomic number of items in the image.

**Operator Training Program (OTP):** OTP is an easy-to-use software application that helps users learn key system features and functionality.

**Density Threshold Alert (DTA):** DTA generates a visible alarm when an imaged object exceeds a user-specified density threshold.



## BAGGAGE AND PARCEL INSPECTION

### PHYSICAL SPECIFICATIONS

Dimensions: Length: 1,662 mm (65.4 in.)  
Height: 1,368 mm (53.9 in.) *excluding monitor*  
Width: 735 mm (28.9 in.)

Tunnel Size: 550 mm (W) x 360 mm (H) (21.7 x 14.2 in.)

Conveyor Speed: 0.20 m/sec (39.4 ft./min)

Conveyor Max Load: 165 Kg (364 lbs) evenly distributed

Conveyor Height: 835 mm (32.9 in.)

Approx Weight: Net: 403 Kg (888 lbs)

System Power: 115/230 VAC +/- 10% / 60/50Hz

### X-RAY GENERATOR AND IMAGE PERFORMANCE

Steel Penetration: 28mm guaranteed; 30mm typical

Wire Resolution: 38 AWG guaranteed; 40 AWG typical

Material Separation: Low Z, Medium Z, High Z to 0.5 Z accuracy

Generator Cooling: Sealed oil bath with forced air

Anode Voltage: Operating at 140kV

Tube Current: 0.7 mA

Orientation: Vertically Upward

### OPERATING ENVIRONMENT

Storage Temperature: -20°C to 50°C

Operating Temperature: 0°C to 40°C

Relative Humidity: 5 to 95% non-condensing

### HEALTH & SAFETY

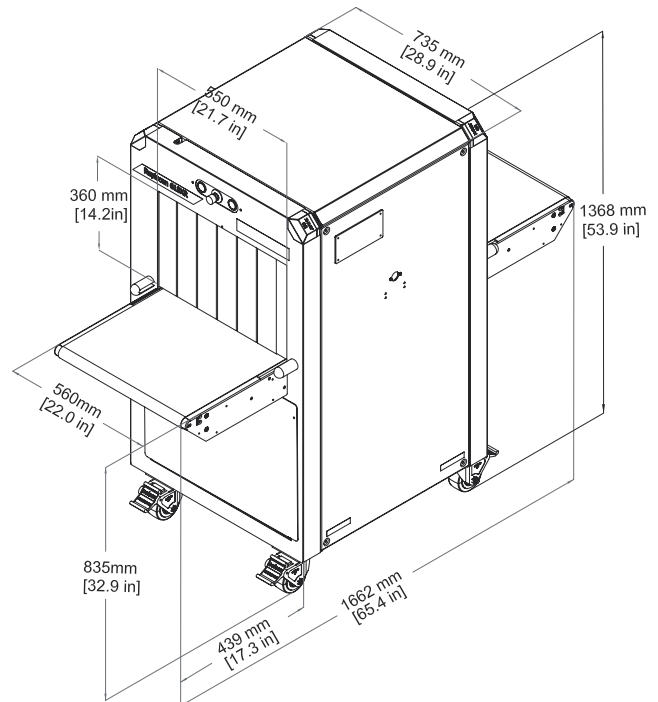
All Rapiscan Systems products comply with applicable international health and safety regulations including USA FDA X-Ray systems (Federal Standard 21CFR 1020.40) and Health and Safety at Work Act 1974-section 6, Amended by the Consumer Protection Act 1987. Maximum leakage radiation less than 0.1mR/hr (1µ Sv/hr) in contact with outer panels.

Film Safety: For ISO 1600/33 DIN

CE Compliance: Yes

FCC & IEC Compliance: Yes

UL Compliant: Yes



STANDARD FEATURES	OPTIONS AND ACCESSORIES
Multi Energy Imaging (4 Color)	Threat Image Protection (TIP)
Crystal Clear	Target
Black and White Viewing	Interactive Target
Organic / Inorganic Stripping	Density Threshold Alert (DTA)
Inverse Video	Operator Training Program (OTP)
High Penetration	Manual Scan
Variable Edge Enhancement	Automatic Image Archiving
Variable Color Stripping	Threat Image Projection Network (TIPNET)
Variable Gamma	Network Display Station (NDS)
Variable Density Zoom	Smart Card Login
Zoom (to 64x)	Power Conditioner
View Previous Bag	Foot-mat
Manual Image Archive	Remote Workstation
Configurable Image Processing Keys	Conveyor Accessories
Baggage Counter	CRT Color Monitor, Non Flicker
Date / Time Display	
Search Indicator	
UPS (Uninterrupted Power Supply)	
Flat Panel LCD Monitor	

## SAFETY Act Certified



## ISO 9001:2000 Certified

With continual development of our products Rapiscan Systems reserves the right to amend specifications without notice.

[www.rapiscansystems.com](http://www.rapiscansystems.com) • [sales@rapiscansystems.com](mailto:sales@rapiscansystems.com)

**AMERICAS, CARIBBEAN**  
2805 Columbia Street  
Torrance, California 90503  
UNITED STATES OF AMERICA  
Tel: +1 310-978-1457  
Fax: +1 310-349-2491

**EUROPE, AFRICA, MID EAST**  
X-Ray House  
Bonehurst Road  
Salisbury  
Surrey RH1 5GG  
UNITED KINGDOM  
Tel: +44 (0) 870-7774301  
Fax: +44 (0) 870-7774302

**ASIA**  
240 Macpherson Road  
#07-03 Pines Industrial Building  
Singapore 348574  
SINGAPORE  
Tel: +65-6743-9913  
Fax: +65-6743-9915

**AUSTRALIA**  
Rapiscan House  
4 Ross Street  
South Melbourne Victoria  
Australia 3205  
AUSTRALIA  
Tel: +61 3 9929 4600  
Fax: +61 3 9929 4655

distributor stamp