

# PSC series power supply

Switch mode power supply 12VDC, IP67



CODE: **PSC12010** v1.0/VI  
 TYPE: **PSC 12V/1A/55MM** switch mode power supply

EN\*

### Features:

- power output 1A/12VDC
- universal AC voltage range 90÷264V
- high efficiency 78%
- standby power <0,3W
- efficiency class: V
- IP 67 enclosure
- protections:
  - short-circuit protection SCP
  - surge protection (AC input)
  - overload protection OLP
- warranty – 2 year from the production date



### DESCRIPTION

The PSU is intended for 230V AC mains supply to CCTV cameras that require stabilised voltage of **12 V DC**. The PSU can be assembled in installation boxes, surface or flush-mounted, or fitted with 3mm screws. The unit is protected against a short circuit and an overload and a surge.

### SPECIFICATIONS

Supply voltage	90 ÷ 264 V AC 50÷60Hz
Current consumption	0,13A@230VAC max.
Supply power	12W max.
Efficiency	78%
Output voltage	12V DC
Output current	<b>1 A</b>
Output current $t_{AMB}<30^{\circ}\text{C}$	1 A - refer to graph.1
Output current $t_{AMB}=40^{\circ}\text{C}$	0,7 A - refer to graph.1
Ripple voltage	100mV p-p max.
Short-circuit protection SCP	electronic, automatic recovery
Overload protection OLP	105-150% of power supply, automatic recovery
IP protection class	IP67
Operation conditions	temperature $0^{\circ}\text{C}\div 40^{\circ}\text{C}$ relative humidity 20%...90%
Dimensions (LxWxH)	50 x 48 x 25 [mm]
Net/gross weight	0,09kg / 0125kg
Protection class PN-EN 60950-1:2007	II (second)
Length of DC cable	0,5m + plug DC5,5/2,1 female
Length of AC cable	0,3 m
Storage temperature	-20°C...+60°C

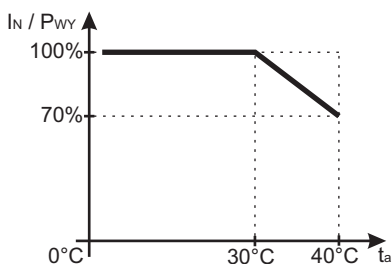


Chart 1.  
Relation between output current and ambient temperature.

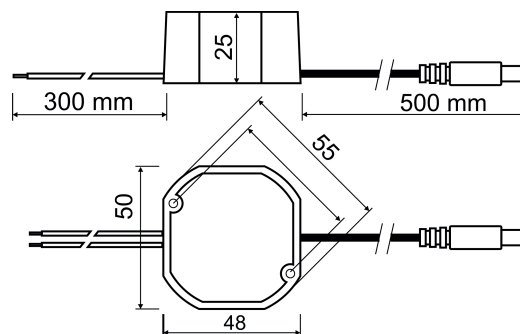
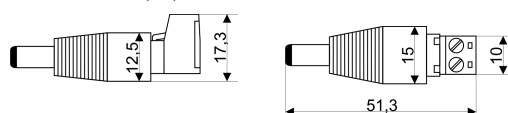


Fig.1.  
Mechanical view and dimensions of the PSU.

### ACCESSORIES

ACCESSORIES :  
 [1] adapter CABLE - PLUG DC 5,5/2,1 - code ML109



Available accessories for the power supplies are: fuse blocks and cable adapters. For details – visit [www.pulsar.pl](http://www.pulsar.pl)