



PSC12010
PSC 12V/1A/55MM switch
mode power supply



Edition: 6 from 16.09.2013
Supercedes edition: 5 from 24.05.2012

EN*

Features:

- power output 1A/12VDC
- universal AC voltage range 90÷264V
- high efficiency 78%
- standby power <0,3W
- efficiency class: V
- IP 67 enclosure
- protections:
 - short-circuit protection SCP
 - surge protection (AC input)
 - overload protection OLP
- warranty – 2 year from the production date

1. Technical description.

1.1. General description.

The PSU is intended for 230V AC mains supply to CCTV cameras that require stabilised voltage of **12 V DC**. The PSU can be assembled in installation boxes, surface or flush-mounted, or fitted with 3mm screws. The unit is protected against a short circuit and an overload and a surge.

1.2. Specifications.

Supply voltage	90 ÷ 264 V AC 50÷60Hz
Current consumption	0,13A@230VAC max.
Supply power	12W max.
Efficiency	78%
Output voltage	12V DC
Output current	1 A
Output current $t_{AMB}<30^{\circ}C$	1 A - refer to chart 1.
Output current $t_{AMB}=40^{\circ}C$	0,7 A - refer to chart 1.
Ripple voltage	100mV p-p max.
Short-circuit protection SCP	electronic, automatic recovery
Overload protection OLP	105-150% of power supply, automatic recovery
IP protection class	IP67
Operating conditions	temperature 0 °C÷40 °C relative humidity 20%...90%
Dimensions (LxWxH)	50 x 48 x 25 [mm]
Net/gross weight	0,09kg / 0125kg
Protection class PN-EN 60950-1:2007	II (second)
Length of DC cable	0,5m + plug DC5,5/2,1 female
Length of AC cable	0,3 m
Storage temperature	-20°C...+60°C

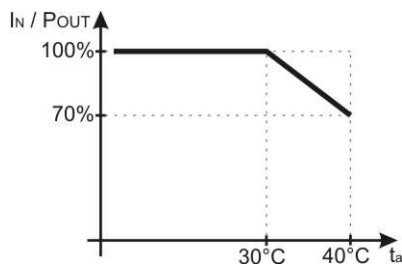


Chart 1.
Relation between output current and ambient temperature

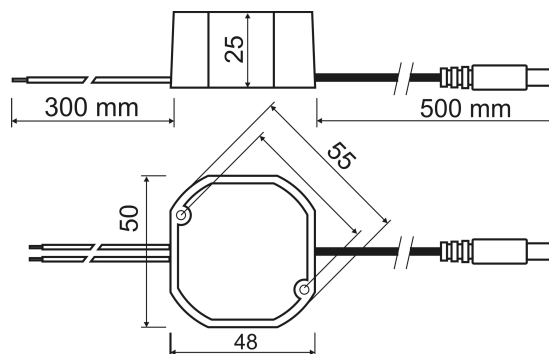


Fig.1. Mechanical view and dimensions of the PSU.

1.3. Accessories.

Available accessories for the power supplies are: fuse blocks and cable adapters. For details –visit www.pulsar.pl

2. Installation.

2.1. Requirements.

The PSU is to be mounted by a qualified installer, holding relevant permits and licenses (applicable and required for a given country) for 230V/AC interference and low-voltage installations. The unit should be mounted in confined spaces, in accordance with the 2nd environmental class, with normal relative humidity (RH=90% maximum, without condensation) and temperature from -10°C to +40°C. The device should be installed in the metallic enclosure (cabinet, intended device). In order to meet the LVD and EMC requirements, the rules concerning: supply, development and shielding ought to be followed - accordingly to the application.

2.2. Installation procedure.

1. Fit the power supply inside the box or other device.
2. Connect the DC cables to the load or to the terminal block.
3. Connect the 230V AC leads to the 230V power strip.
4. Once the tests and operation control have been completed, the enclosure/cabinet can be locked and the 230V AC power switched on.

3. Maintenance.

Any and all maintenance operations may be performed following the disconnection of the power supply from the power network. The power supply does not require any specific maintenance procedures, however, in the case of significant level of dust, it should be cleaned with compressed air.



WEEE MARK

According to the EU WEE Directive – It is required not to dispose of electric or electronic waste as unsorted municipal waste and to collect such WEEE separately.

The power supply unit is adapted for a sealed lead-acid battery (SLA). After the operation period it must not be disposed of but recycled according to the applicable law.

THE GENERAL WARRANTY CONDITIONS

1. Pulsar K. Bogusz Sp.j. (the manufacturer) grants a two-years warranty for the equipment, counted from the device's production date.
2. The warranty includes free-of-charge repair or replacement with an appropriate equivalent (the selection is at the manufacturer's discretion) if the malfunction is due to the manufacturer, includes manufacturing or material defects, unless such defects have been reported within the warranty period (item 1).
3. The equipment subject to warranty is to be brought to the place where it was purchased, or directly to the main office of the manufacturer.
4. The warranty applies to complete equipment, accompanied by a properly filled warranty claim with a description of the defect.
5. Should the claim be accepted, the manufacturer is obliged to provide warranty repairs, at the earliest convenience, however not later than within 14 days from the delivery to the service centre of the manufacturer.
6. The repair period mentioned in item 5 may be prolonged, if there are no technical possibilities to carry out the repairs, or if the equipment has been conditionally accepted, due to the breaking warranty terms by the claimant.
7. All the services rendered by force of the warranty are carried out at the service centre of the manufacturer, exclusively.
8. The warranty does not cover the defects of the equipment, resulting from:
 - reasons beyond the manufacturer's control,
 - mechanical damage,
 - improper storage and transport,
 - use that violates the operation manual or equipment's intended use
 - fortuitous events, including lightning discharges, power failures, fire, flood, high temperatures and chemical agents,
 - improper installation and configuration (in defiance with the manual),
9. The warranty is void in any of the following circumstances:
 - construction changes
 - repairs carried out by any unauthorized service center
 - damage or removal of warranty labels
 - modifications of the serial number
10. The liability of the manufacturer towards the buyer is limited to the value of the equipment, determined according to the wholesale prices suggested by the manufacturer on the day of purchase.
11. The manufacturer takes no responsibility for the defects that result from:
 - the damaging, malfunctioning or inability to operate the equipment
 - defects that result from using the equipment outside its stated specifications and operating parameters failing to abide by the recommendations and requirements contained in the manual, or the use of the equipment.

Pulsar K.Bogusz Sp.j.

Siedlec 150, 32-744 Łapczyca, Polska
Tel. (+48) 14-610-19-40, Fax. (+48) 14-610-19-50
e-mail: biuro@pulsar.pl, sales@pulsar.pl
http:// www.pulsar.pl, www.zasilacze.pl