

PRODUCT DATASHEET

VM240

MAINS RATED RELAY UNIT

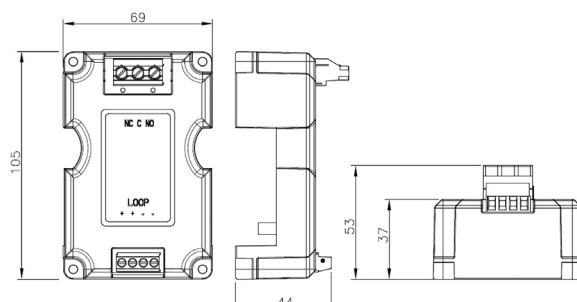
The Argus VM240 relay unit upgrades a standard VMMC120 output module to a unit capable of switching mains voltages and higher currents. Utilising an existing module for communication, control and monitoring functions means the unit is fully compatible with all panels supporting the Argus loop protocol. The unit can easily be upgraded to a wireless variant by adding the SGMCB-EOLM end of line module and connecting to a SGMCB200 wireless output module. The units are perfect for switching mains voltage to equipment such as dampers and sound systems or where higher current switching is required at lower voltages.



KEY FEATURES

- 250V Mains voltage switching capacity
- Utilises the highly reliable Argus digital protocol
- Robust design
- Compatible with all Argus protocol systems
- Optional IP65 enclosure
- 5 year product warranty
- Single set of heavy duty change over contacts
- No PSU required
- Wired and wireless variants available

TECHNICAL INFORMATION



TECHNICAL SPECIFICATION

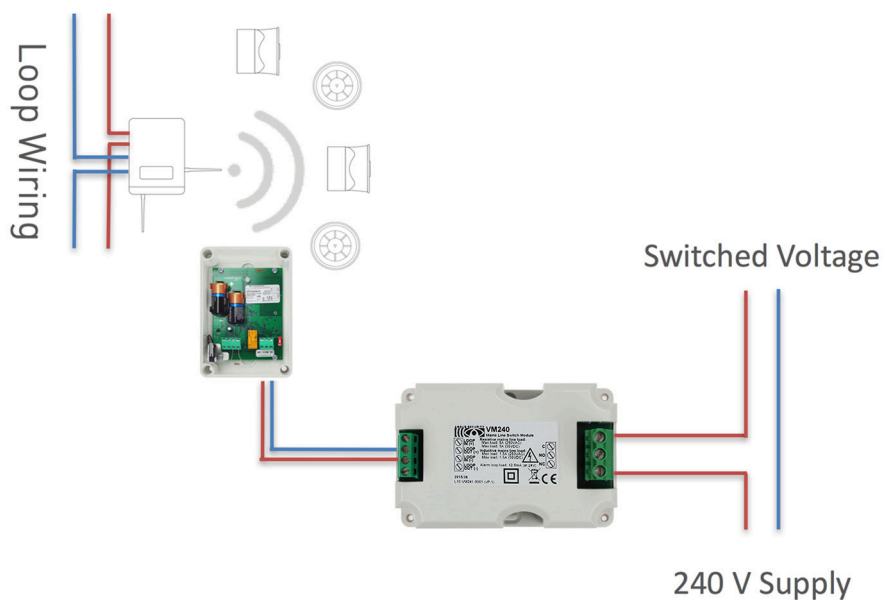
- | | |
|-------------------------------------|-----------------------|
| ■ Loop Voltage range | 18-40 VDC |
| ■ Max. Current | 12.5mA @ 24 VDC |
| ■ Wired operation requires: | VMMC120 |
| ■ Wireless operation requires: | SGMCB200 & SGMCB-EOLM |
| ■ Weight | 100 g |
| ■ Temp Range (no icing) | -10 to +55 |
| ■ Max Humidity | 95%RH |
| ■ Max. Mains Relay load (resistive) | 5A @240 VAC |
| ■ Dimensions | 105 x 69 x 53mm |
| ■ IP rating | 21C |
| ■ Max. Mains Relay load (inductive) | 1.5A @240VAC |

STANDARDS & APPROVALS

- BS EN 60950-1:
Information technology equipment
- BS EN 50130-4:
Alarm systems electromagnetic compatibility



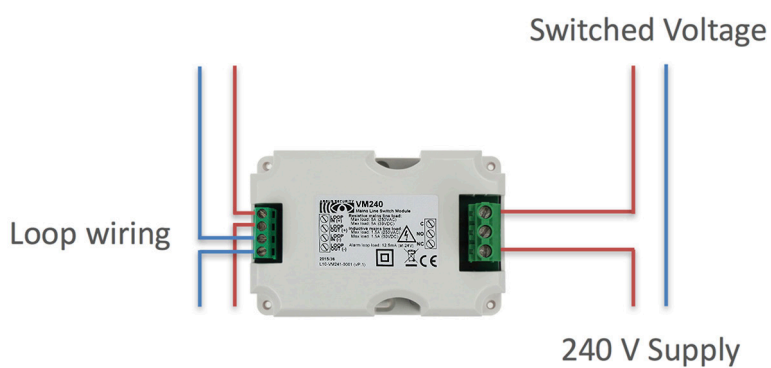
WIRELESS APPLICATION



RELATED PART NUMBERS

- VM240
- SGMCB-EOLM
- SGMCB200

WIRED APPLICATION



RELATED PART NUMBERS

- VM240
- VMMC120

MOUNTING OPTION



RELATED PART NUMBERS

- BMB100