

PRODUCT DATASHEET

S3500/A1R

**CONVENTIONAL CLASS A1R
HEAT DETECTOR**

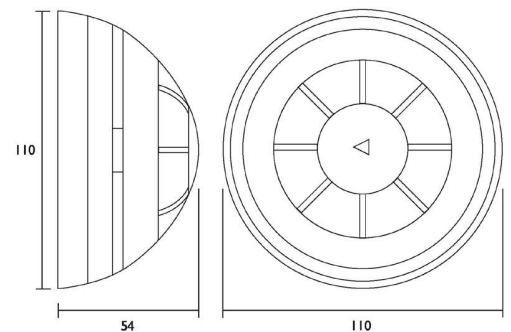
The S3500/A1R is a cost effective and aesthetically pleasing non-addressable rate of rise heat detector. These detectors are designed for open area protection and provide the best warning of fire in locations which are not suitable for smoke detection technologies. A centrally positioned LED indicator provides 360° visibility of detector activation and an in-built magnet test feature allows easy activation to verify operation of the detectors. A selection of connection bases make the unit compatible with most conventional control equipment.



KEY FEATURES

- 3rd party certified
- Colour options available
- 5 year product warranty
- Central LED for 360° visibility
- Low profile design
- Programmable flashing LED function

TECHNICAL INFORMATION



TECHNICAL SPECIFICATION

- Power supply 10-30 Vdc
- Average standby current 90 µA @ 24 Vdc
- Max alarm current 40 mA
- Max remote output current 18 mA
- Dimensions 110mm x 54mm
- Weight (with base) 190g
- Operating Temperature (no icing) -10°C to +55°C
- Max Humidity 95% RH (non condensing)
- Heat alarm threshold (class A1R) 58°C
- High temp. mode alarm threshold 78°C (class B)
- IP rating 40

Note: Certified device performance may vary depending on the approval body.

STANDARDS & APPROVALS

- BS EN 54-5: Heat Detectors - Point Detectors



0832



928d/02



G210111