

# SWING GATE GATE-GS/TS

The primary purpose of the Servo-Type Swing Gate is single or dual direction control of pedestrian access for other objects.

The initial position locking gear underlies the operation of the Servo-Type Swing Gate.

Due to its unique shape and variety of models, it can suit any interior.



*ELEGANCE, LIGHTNESS AND SIMPLICITY MAKE THE SERVO-TYPE SWING GATE  
INDISPENSABLE AS A PART OF ACCESS CONTROL SYSTEM*

#### Controlled by:

- access control system;
- manual control

When power goes OFF both directions are free.

#### To be delivered additionally:

- reader posts;
- readers for access control system;
- remote radio controller;
- backup battery 12V, 7A•h

#### Electrical Specifications:

- Voltage:
  - from the AC (100-240)V, 50/60Hz
  - from a DC source 12 V
- Maximum power consumption 200 W per pass
- Degree of protection according to GOST 14254-96 - IP41

#### Technical specs:

Length	828 mm
Diameter	225 mm
Height	1000 mm
Weight, not more	32,6 kg

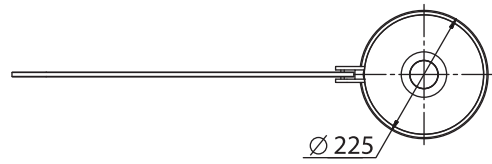
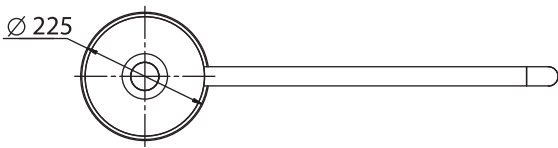
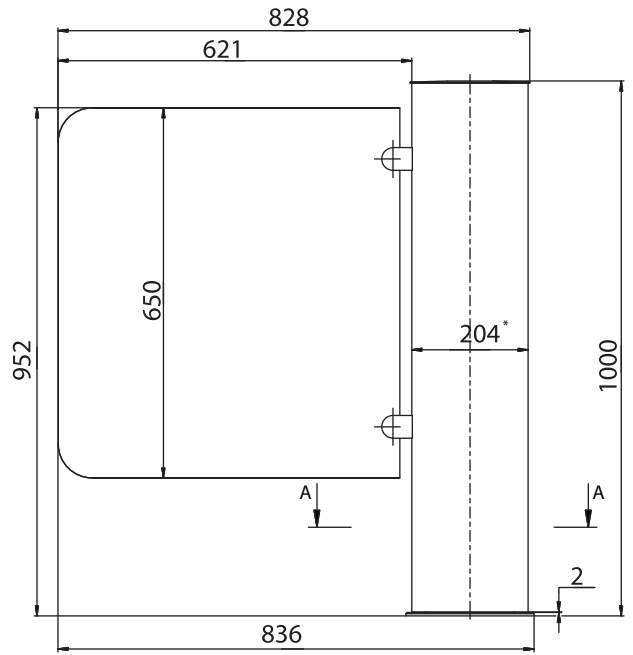
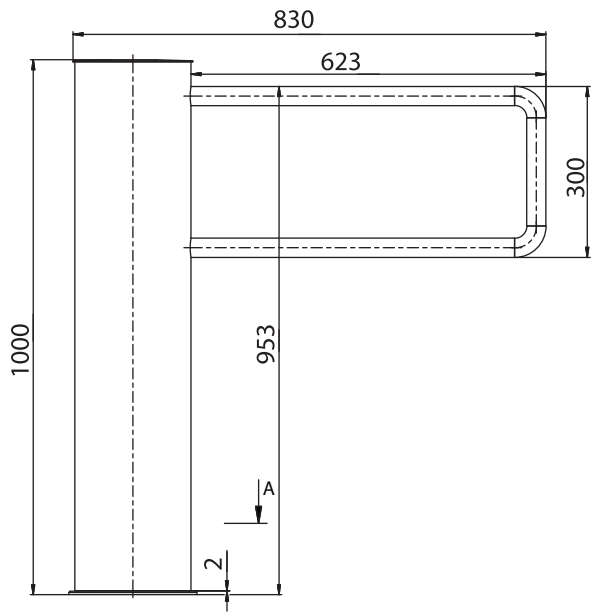


www.tiso-turnstiles.com  
+380 (44) 291-21-11  
e-mail: export@tiso.ua

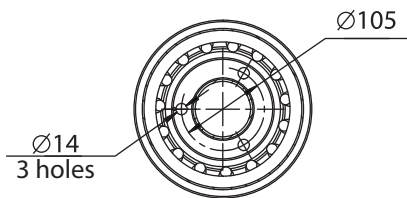


GATE-TS

GATE-GS



A-A (1:5)



A-A (1:5)

